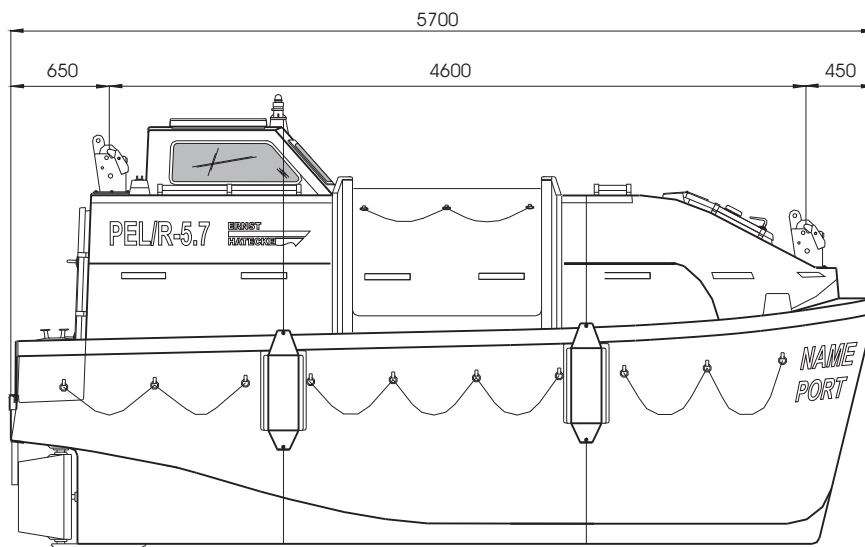
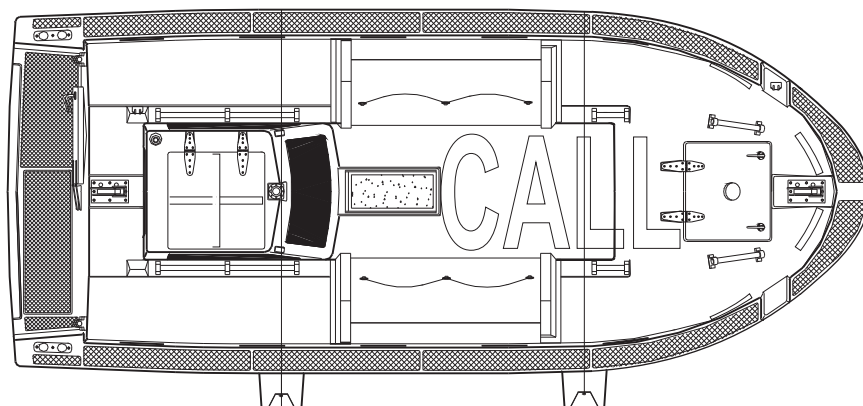


# Partially Enclosed Life-and Rescueboat type: PEL/R-5.7



Scale 1:50



## Technical data:

length o.a. ....	5,72 m
length hull ....	5,70 m
breadth hull ....	2,30 m
depth ....	1,00 m
persons ....	24
weight fully equiped ....	2120 kgs
weight with 6 persons ....	2570 kgs
weight with max. number of persons ....	3920 kgs