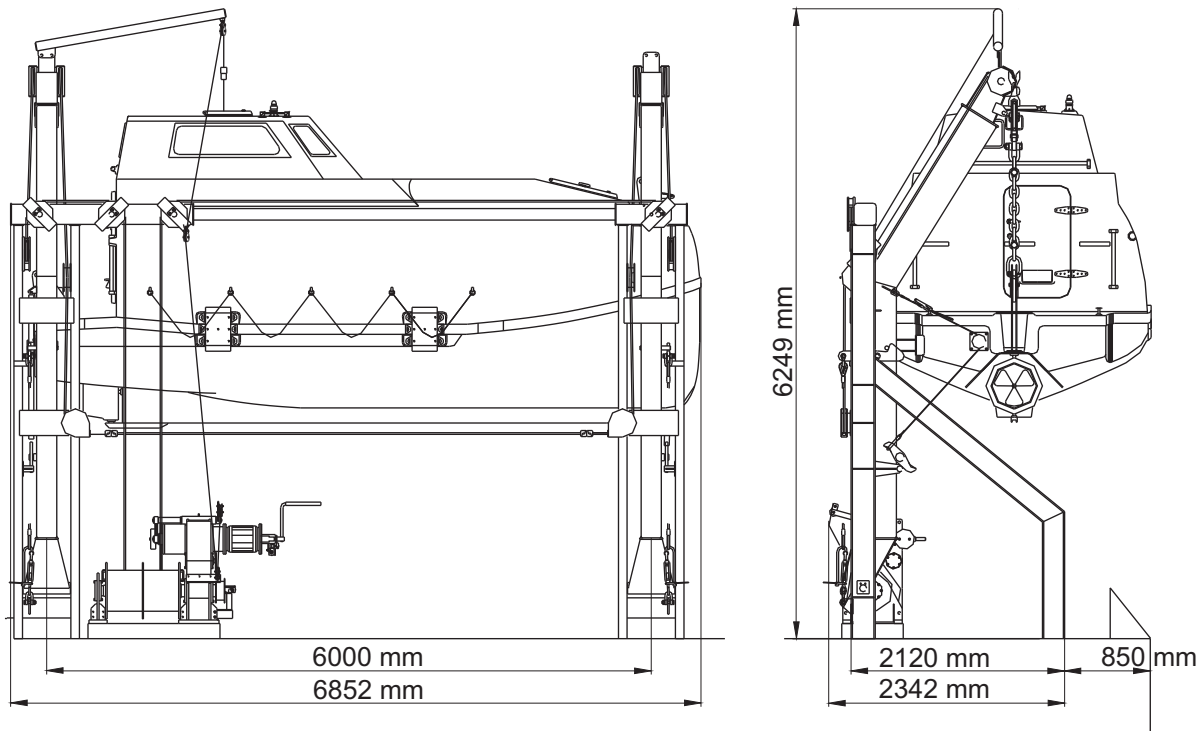


**Totally Enclosed Life-and Rescueboat
type: GSL(T)-6.6 M
with
davit, type GspFP 75**



scale 1 : 75

Dimensions boat: (over all) 6,74 x 2,83 x 3,24 m

Weight data:

Boat empty incl. equipment and fuel	dry cargo version 2470 kgs	tanker version 2700 kgs
Davit system	lifeboat exec. abt. 3800 kgs	rescueboat exec. abt. 3950 kgs
Total weight of empty boat and davit (dry cargo version) ..	abt. 6270 kgs	abt. 6420 kgs
Total weight of empty boat and davit (tanker version)	abt. 6500 kgs	abt. 6650 kgs