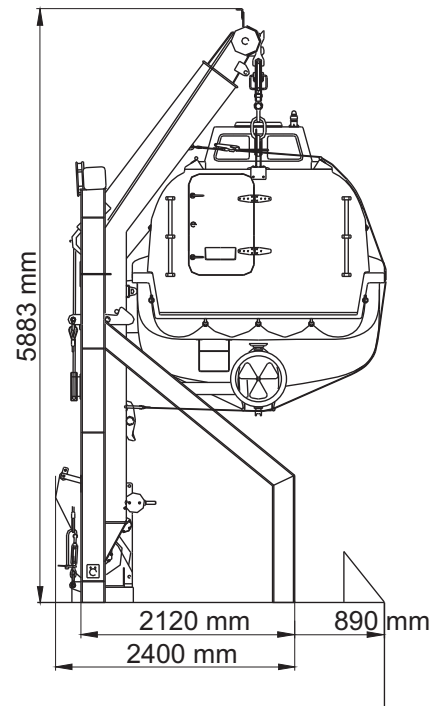
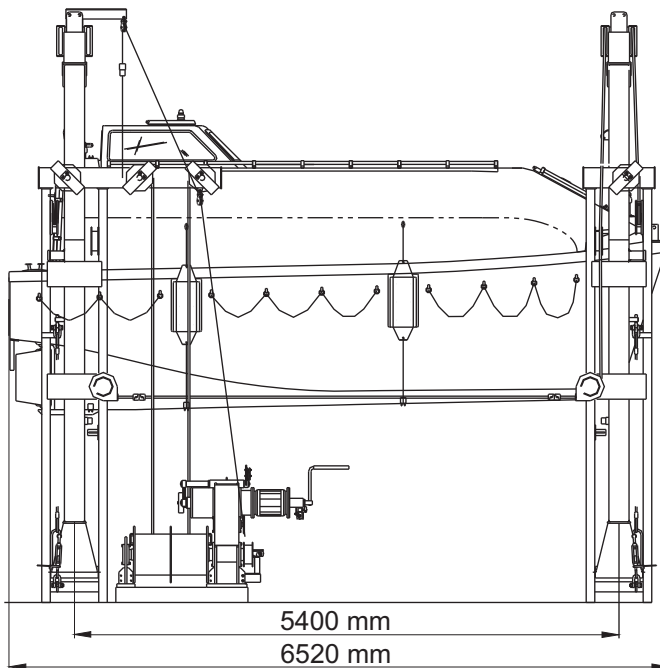


**Totally Enclosed Life-and Rescueboat  
type: GSL(T)-6.5  
with  
davit, type GspFP 45**



scale 1 : 75

**Dimensions boat:** (over all) 6,57 x 2,50 x 3,03 m

**Weight data:**

Boat empty incl. equipment and fuel .....	dry cargo version 2230 kgs	tanker version 2830 kgs
Davit system .....	lifeboat exec. abt. 3800 kgs	rescueboat exec. abt. 3950 kgs
<b>Total weight of empty boat and davit (dry cargo version) ..</b>	<b>abt. 6030 kgs</b>	<b>abt. 6180 kgs</b>
<b>Total weight of empty boat and davit (tanker version) .....</b>	<b>abt. 6630 kgs</b>	<b>abt. 6780 kgs</b>