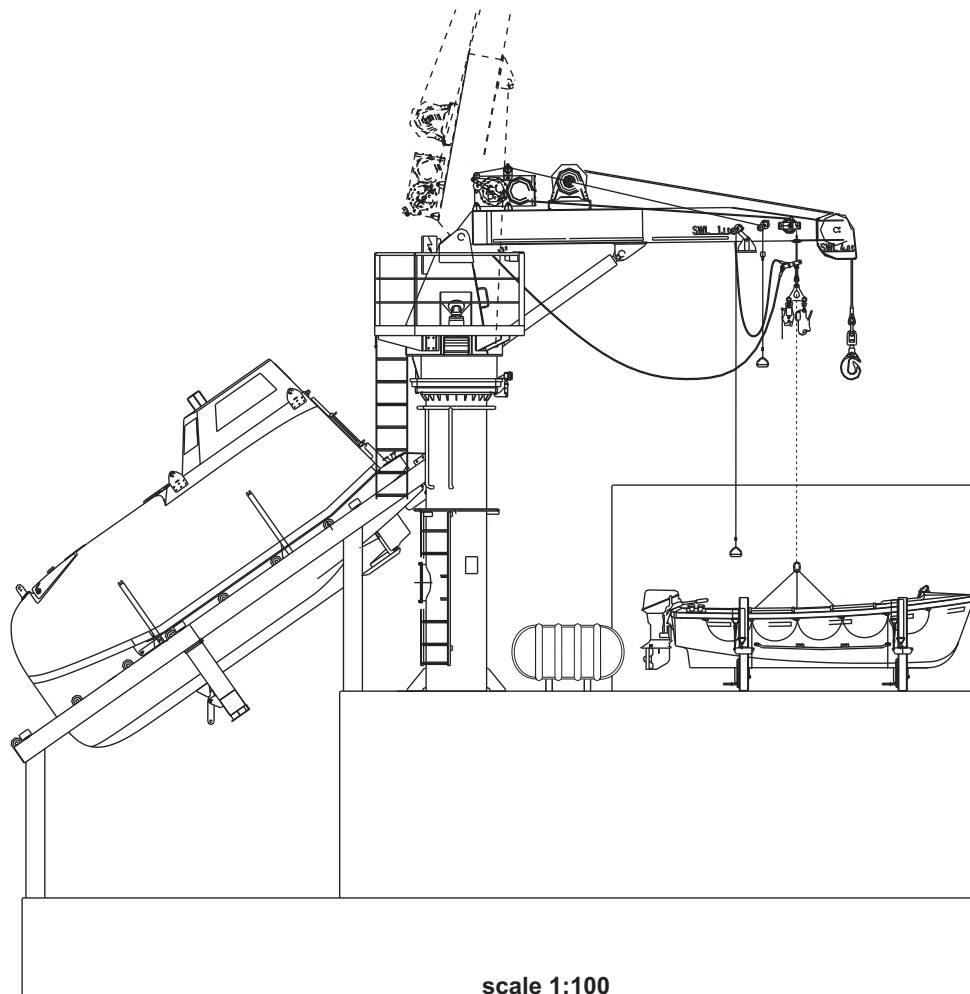


Multi purpose crane, type Fhs. R.L.S. 40/1,3-6,0 for freefall-lifeboat, rescueboat and liferaft



scale 1:100

Crane Main Data

SWL, lifeboat	42 kN
SWL, sore handling	40 kN
Outreach	1,5 - 5,23 m
SWL, liferaft	14 kN
SWL, rescueboat	10 kN
Outreach	4,5 m
Slewing Speed - direct power	0- 0,5 rpm
- stored power	0- 1 rpm
- emergency power	0-0,2 rpm
Voltage	380 / 400 V
Frequency	50 / 50 Hz
Total mass of davit system	4000 kg

Lifeboat Main Data

Boat type	GFF 5.7M
Dimensions overall	5,77 x 2,40 x 3,24 m
Weight of boat with equipment	2695 kg
Lowering / hoisting weight	4120 kg

Rescueboat Main Data

Boat type	RB 400
Dimensions overall	4,00 x 1,80 x 0,70 m
Weight of boat with equipment	435 kg
Lowering / hoisting weight	885 kg

Liferaft Main Data

25 persons davit launched type	
Weight of liferaft with equipment	225 kg
Lowering weight (max.)	2100 kg