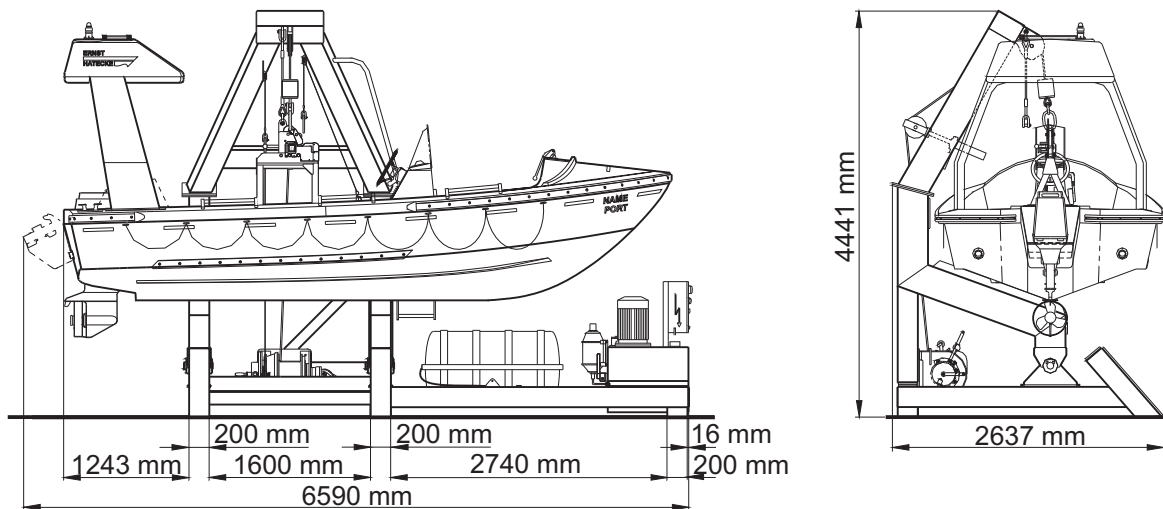


**Rescueboat, type FRB 600S  
with  
davit, type DFR 600S II / MOR**



scale 1 : 75

**Weight data:**

Boat empty incl. equipment, fuel and 50 hp outboard engine.....1000 kgs

Davit system .....abt. 3200 kgs

**Total weight of empty boat and davit.....abt. 4200 kgs**